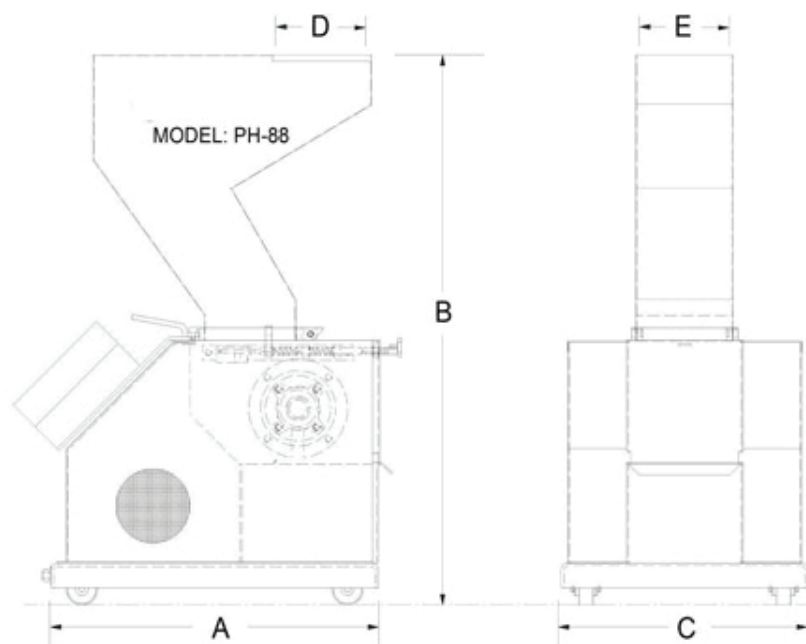


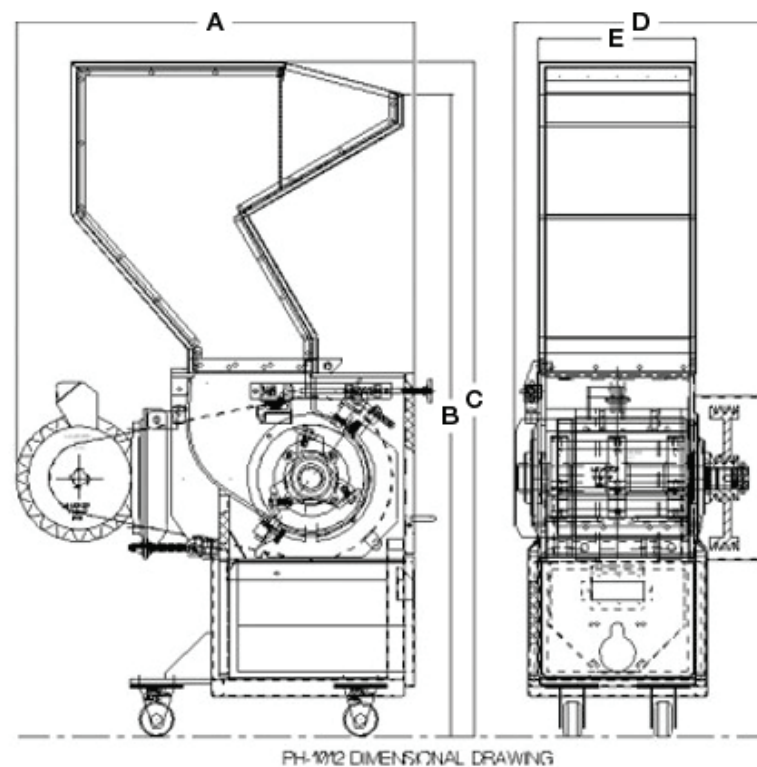
PH-88



Model	Throat size Inches	Knives fixed	Rotor	Motor (hp)	Throughput (lbs/hr)
PH-88	8 x 8	2	3	5	150 - 200

Dimensions: A=30", B=44", C=20", D=8", E=9"

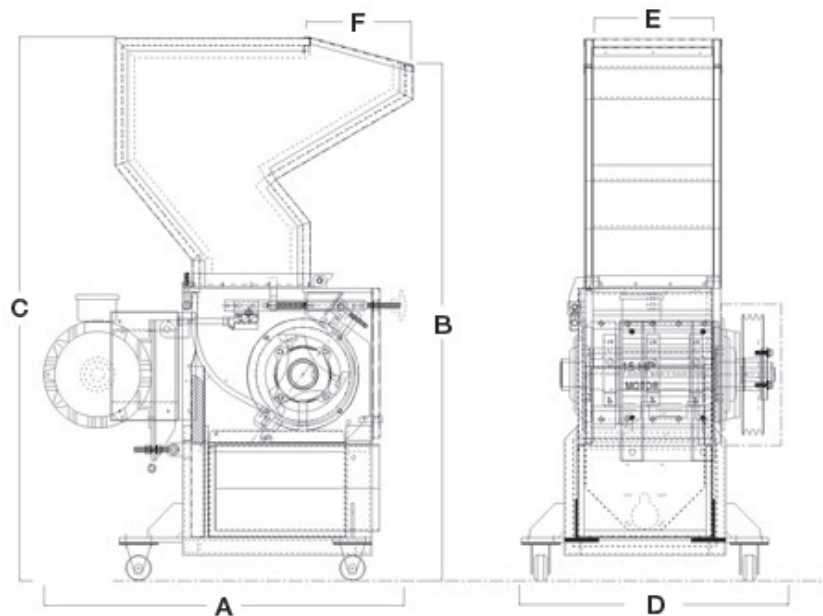
PH-1012



Model	Throat size Inches	Knives fixed	Rotor	Motor (hp)	Throughput (lbs/hr)
PH-1012	10 x 14	2	3	7.5 or 10	400 - 600

Dimensions: A=34", B=55", C=58", D=25", E=14"

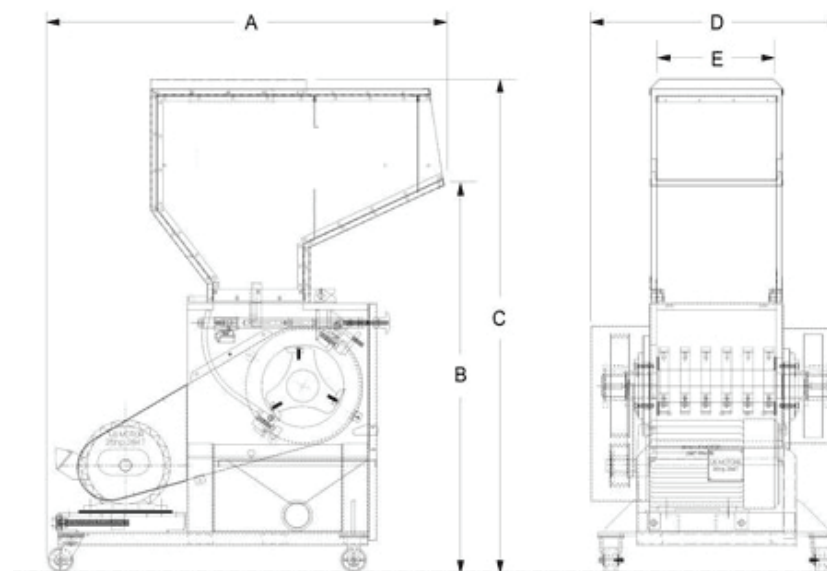
PH-1214



Model	Throat size Inches	Knives fixed	Rotor	Motor (hp)	Throughput (lbs/hr)
PH-1214	12 x 14	2	3	15 x 20	500 - 750

Dimensions: A=43", B=59", C=63", D=28", E=16", F=12"

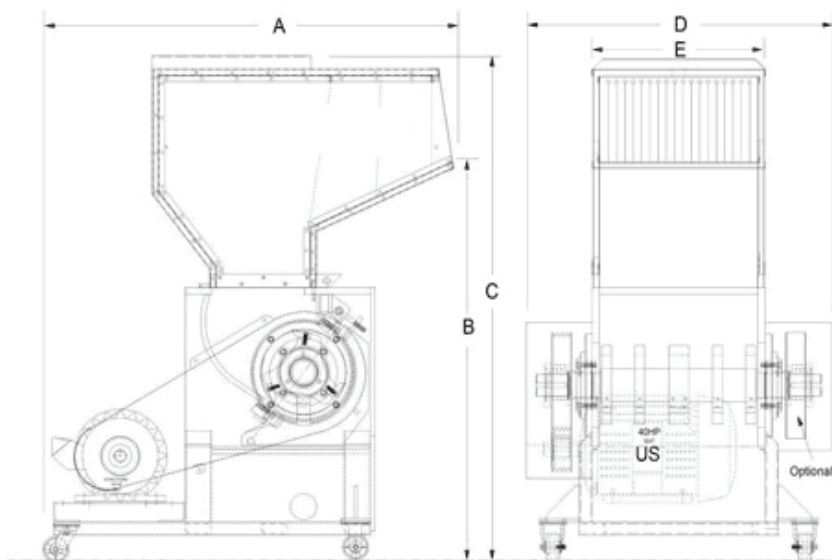
WO-1418



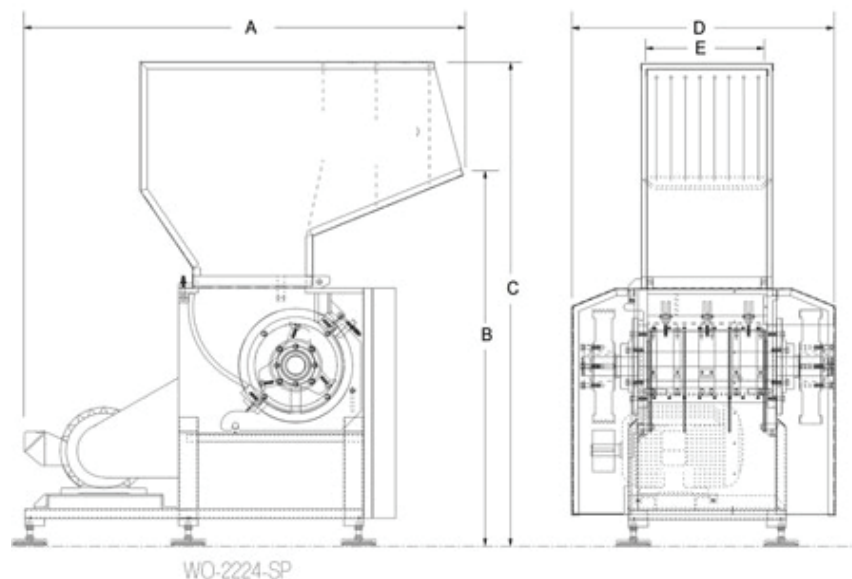
Model	Throat size Inches	Knives fixed	Rotor	Motor (hp)	Throughput (lbs/hr)
WO-1418	14 x 18	2	3	20, 25 or 30	600 - 1000

Dimensions: A=62", B=61", C=76", D=38", E= 20"

WO-1424



WO-2224



Model	Throat size Inches	Knives fixed	Rotor	Motor (hp)	Throughput (lbs/hr)
WO-1424	14 x 24	2	3	25 or 30	800 - 1200

Dimensions: A=62", B=61", C=76", D=44", E= 26"

Model	Throat size Inches	Knives fixed	Rotor	Motor (hp)	Throughput (lbs/hr)
WO-2224	22 x 24	2	3	40 or 50	1200 - 1800

Dimensions: A=85", B=76", C=103", D=46", E= 27"